

**AUCKLAND**  
Unit G, 166 Marua Road  
PO Box 11-257  
Ellerslie, AUCKLAND  
Tel 0800 VANDA NZ (0800 8263 269)  
Fax (09) 580 1351  
Admin@vanda.co.nz  
www.vanda.co.nz

## Vanda Motorised Roman Blind Headrail Notes

### Heading:

Ensure the fluffy side of a 20mm Velcro strip is sewn at 15mm down from the top of the blind fabric.

### Dropper Cords:

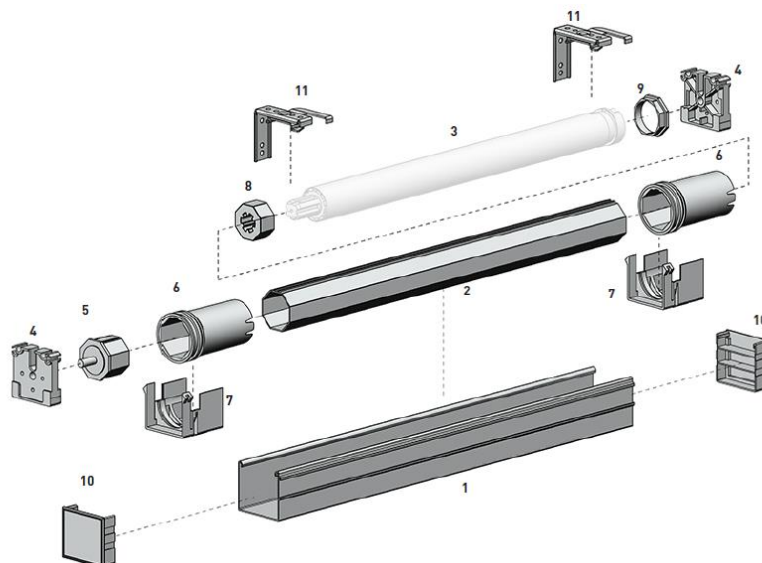
The two outer droppers need to be positioned at 100mm in from the outside edge of the blind.

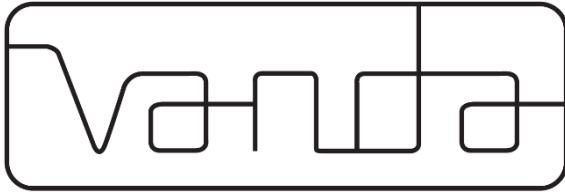
### Spline:

If the blinds are manufactured using a stiff spline this can help reduce the amount of droppers used for lifting the blind. This will also help reduce the cost of the headrail (optional).

### Power Cable:

Electric motors can be positioned either left or right side of the head rail. Vanda recommend the location off the cable be 90mm down from the top of the blind & 200mm in from either side. (See diagrams on page 2)

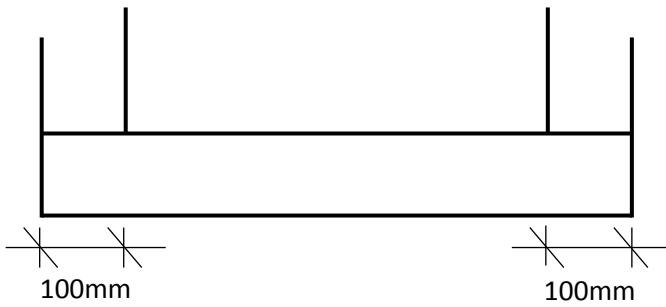




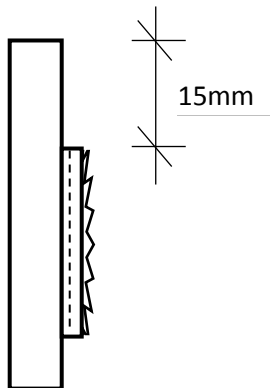
**AUCKLAND**  
Unit G, 166 Marua Road  
PO Box 11-257  
Elserslie, AUCKLAND  
Tel 0800 VANDA NZ (0800 8263 269)  
Fax (09) 580 1351  
Admin@vanda.co.nz  
www.vanda.co.nz

## Vanda Motorised Roman Headrail Diagrams

### Dropper Cord Drawing



### Heading



### Cable Placement

